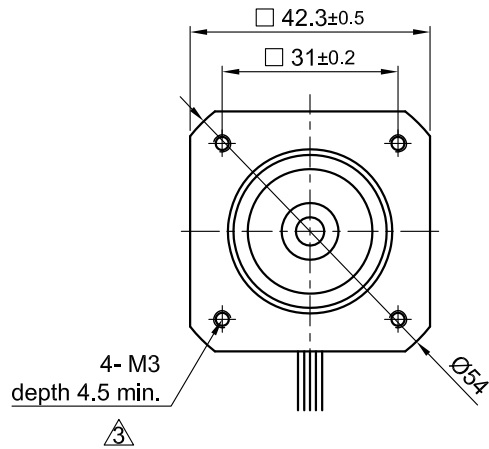
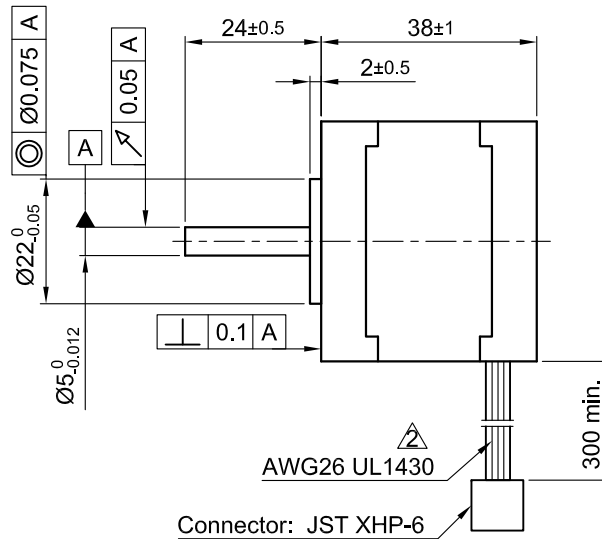


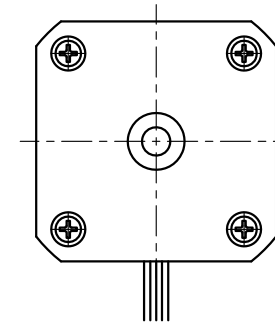
Front view and mounting



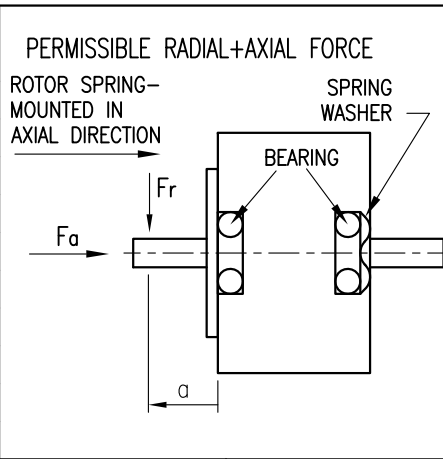
Side view



Rear view



SPECIFICATION	CONNECTION	
	UNIPOLAR OR BIPOLAR-1 WINDING	BIPOLAR SERIAL
VOLTAGE (VDC)	5.1	7.3
AMPS/PHASE	0.9	0.64
RESISTANCE/PHASE (Ohms)@25°C	5.7±15%	11.4±15%
INDUCTANCE/PHASE (mH) @1KHz	5.0±20% Δ	20.0±20% Δ
HOLDING TORQUE (Nm) [lb-in]	0.28 [2.478]	0.396 [3.505]
DETENT TORQUE (Nm) [lb-in]	9.8x10 ⁻³ [8.673x10 ⁻²]	
STEP ANGLE (°)	1.8	Δ
STEP ACCURACY (NON-ACCUM)	±5%	Δ
ROTOR INERTIA (Kg-m ²) [lb-in ²]	5.7x10 ⁻⁶ [1.95x10 ⁻²]	
WEIGHT (Kg) [lb]	0.24 [0.53]	

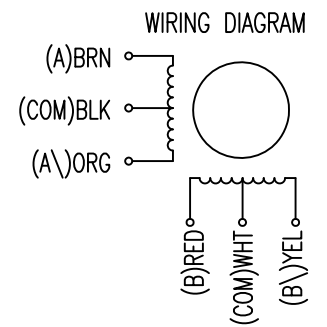


UNIPOLAR	TYPE OF CONNECTION (EXTERN)		MOTOR		
	1 WINDING	SERIAL	CONNECTOR PIN NO.	LEADS	WINDING
A	A	A	1	BRN	A
COM	COM		5	BLK	COM
A\		A\	3	ORG	A\
B	B	B	2	RED	B
COM	COM		6	WHT	COM
B\		B\	4	YEL	B\

for >speed ←
for <speed ←

FULL STEP 2 PHASE-Ex., WHEN FACING MOUNTING END (X)

STEP	A	B	A\	B\	CCW	CW
1	+	+	-	-	↓	↑
2	-	+	+	-	↓	↑
3	-	-	+	+	↓	↑
4	+	-	-	+	↓	↑



TEMPERATURE RISE: MAX.80°C (MOTOR STANDSTILL; FOR 2 PHASE ENERGIZED)	AXIAL-FORCE Fa (N)	Fa=7			
AMBIENT TEMPERATURE -10~ 50°C [14°F ~ 122°F]	DISTANCE a (mm)	5	10	15	20
INSULATION RESISTANCE 100 MOhm (UNDER NORMAL TEMPERATURE AND HUMIDITY)	RADIAL-FORCE Fr (N)	58	36	26	20
INSULATION CLASS B 130° [266°F]		AXIAL		RADIAL	
DIELECTRIC STRENGTH 500VAC FOR 1 MIN. (BETWEEN THE MOTOR COILS AND THE MOTOR CASE)	SHAFT PLAY (mm)	0.08		0.02	
AMBIENT HUMIDITY MAX. 85% (NO CONDENSATION)	AT LOAD MAX: (N)	4.5		4.5	

3	rework draw/change depth M3	09.02.16	A.S.				APVD	S.Ha.	26.02.07	STEPPING MOTOR	
2	VALUE OF BACK-EMF+UL NO.	20.06.11	LB				CHKD				
1	INDUCTANCE	26.04.07	J.W.	Surface specification	General tolerances	Work piece edge	DRN	J.W.	29.11.06	DWG.NO	ST4118M0906-A
REV	DESCRIPTION	DATE	DRN	DIN ISO 1302	DIN ISO 2768- cH	DIN ISO 13715	SIGNATURE		DATE		